

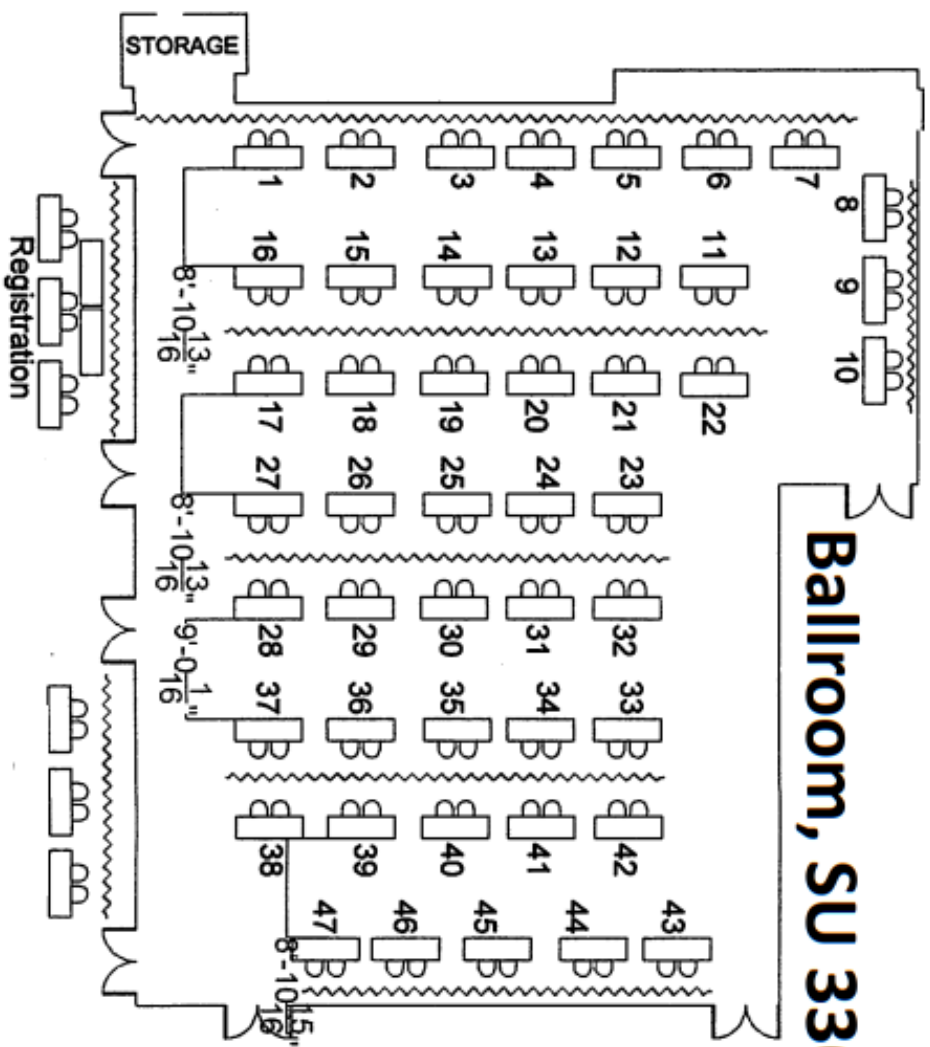
# Engineering-only Career Fair Day 1 - March 4th

## Ballroom (Rooms 330-331): Tables 1-48

Company/Entity name	TABLE	Company/Entity name	TABLE
ABB Inc.	2	New York Independent System Operator	32
Aero Gear Inc.	3	Portsmouth Naval Shipyard _ NAVSEA	30
AI Engineers Inc.	4	Prismian Group	29
APPLIED PHYSICAL SCIENCES	5	Pursuit Aerospace	43
Arcadis	31	Pursuit Aerospace	44
ASSA ABLOY	1	RBC Bearings	27
Connecticut Department of Transportation	10	Regeneron	26
Connecticut Water	37	RTX	25
Consigli Construction	28	Selective Insurance Company of America	24
CorrTech Inc.	20	Snyder Civil	23
Eversource Energy	46	Southland Holdings	22
Gale Associates Inc.	9	SPIROL International	21
GEODesign Inc.	42	Tectonic Engineering Consultants Geologists & Land Surveyors D.P.C.	19
GM2 Associates Inc.	41	<i>Teleflex Medical OEM</i>	11
GNCB Consulting Engineers P.C.	8	The Hartford	18
Haley & Aldrich Inc.	40	Tighe & Bond	17
HDR Inc.	39	Trane Technologies	16
Infosys Limited	38	TTM Technologies	15
ISO New England	36	UPS	14
Langan Engineering and Environmental Services	35	VHB	6
Loureiro Engineering Associates Inc.	34	Winchester Interconnect	13
MassDOT	7	WOODARD & CURRAN	45
MTU Aero Engines North America Inc.	33	Zachry Nuclear Engineering Inc.	12

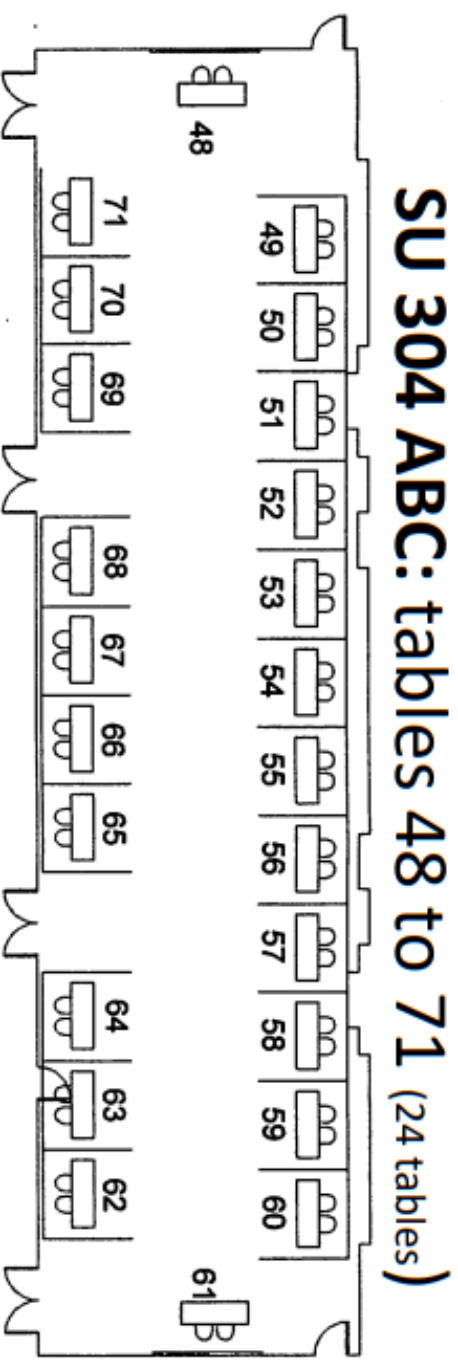
## Room 304: Tables 49-71

Company/Entity name	TABLE	Company/Entity name	TABLE
Aaron Associates of CT Inc.	48	DeSimone Consulting Engineers	55
ARCO Design/Build	64	DME Design LLC	54
ARKA	67	e2 engineers	53
BBM Railway Solutions	66	E-J Electric Installation Co.	52
Benesch	65	Fairfield University	51
Bohler	68	Farrel Pomini	50
Burns & McDonnell	70	Freeman Companies LLC	49
Burt Process Equipment	63	Innovative Design Engineering Associates (IDEA)	58
Cianbro	62	Melia Associates LLC	60
Cirtec Medical	61	PVE LLC	57
ClarkDietrich	59	Standard Builders Inc.	56
Deringer-Ney	69	TRC Companies Inc.	47



**Ballroom, SU 330/331: tables 1 to 47**

**SU 316/317: STUDENT coat & backpack drop-off**



**SU 304 ABC: tables 48 to 71 (24 tables)**