

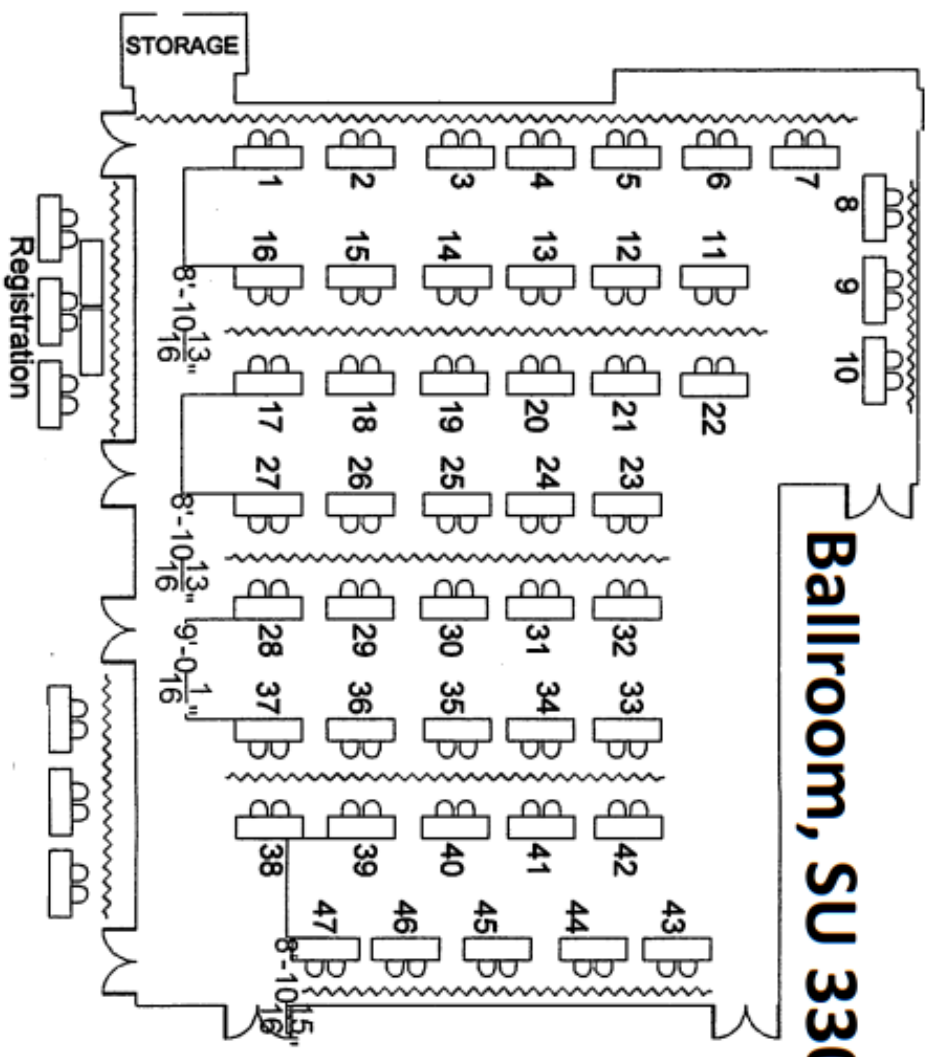
# Engineering-only Career Fair Day 2 - March 5th

## Ballroom (Rooms 330-331): Tables 1-48

Company/Entity name	TABLE	Company/Entity name	TABLE
Actalent Services Inc	13	Hallam-ICS	4
Advance Testing Company Inc	14	HRP Associates Inc.	28
AECOM	17	HSB	29
Amphenol RF	27	Infiltrator Water Technologies	30
ASML	5	Island Exterior Fabricators LLC	31
ATANE Engineers P.C.	12	John Galt Staffing	32
Belcan LLC	21 & 22	John Turner Consulting	33
Belimo	15	Kamatics Corporation	34
Bloomy Controls Inc	16	Kimley-Horn and Associates Inc.	35
BNP Associates Inc.	3	Legrand	36
Civil 1 Inc.	18	Manafort Brothers Incorporated	37
Connecticut Department of Transportation	10	Marmon Utility	38
Dennis Group	19	Martinez Couch and Associates LLC	39
Dominion Energy	20	MassDOT	7
eClinicalWorks	1	Morris Group Inc.	40
FuelCell Energy	2	Navy Talent Acquisition Group New England	41
Gale Associates Inc.	9	O&G Industries Inc.	42
Garg Consulting Services Inc.	23	Redniss & Mead Inc.	43
General Dynamics Electric Boat	44 & 45	Savant Systems Inc.	46
Gilbane Building Company	24	Schaeffler Group USA	47
GNCB Consulting Engineers P.C.	8	Siefert Associates LLC	48
GPI / Greenman-Pedersen Inc.	25	Teleflex Inc	11
Greystone Inc.	26	VHB	6

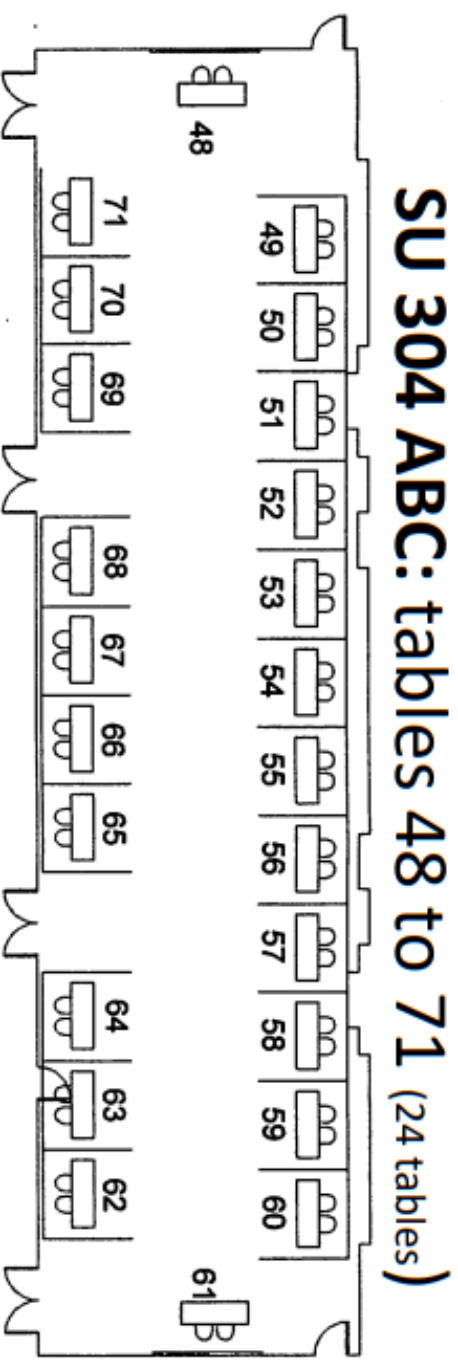
## Room 304: Tables 49-71

Company/Entity name	TABLE	Company/Entity name	TABLE
BL Companies	68	The Middlesex Corporation	57
NAVAL UNDERSEA WARFARE CENTER	69	The MITRE Corporation	60
Silver Petrucelli & Associates Inc.	50	The Whiting-Turner Contracting Company	61
Simpson Gumpertz & Heger	51	TLD	63
SLR	52	Triumph Group	62
Stantec Consulting Inc	53	TRUMPF Inc.	49
Stonefield Engineering and Design	54	UFP Technologies	70
Swan Associates Inc.	55	Ulbrich Stainless Steel & Special Metals Inc.	64
Tata & Howard Inc.	56	Vortex Systems LLC.	65
TEC	59	Weston & Sampson Engineers	66
The Lee Company	58	WSP USA	67



**Ballroom, SU 330/331: tables 1 to 47**

**SU 316/317: STUDENT coat & backpack drop-off**



**SU 304 ABC: tables 48 to 71 (24 tables)**